

512 Assembled Roving is specifically designed for powder and emulsion chopped strand mat applications in unsaturated polyester resin. It offers good choppability and dispersion. It can be used in soft chopped strand mats.

512's main end-use applications are boat hulls and sanitary apparatus.

Product Features

- ◎ Good wet-out in resins
- ◎ Good dispersion
- ◎ Good static control
- ◎ Suitable for soft mats

Identification

Example	ER12-2400-512
Type of Glass	E
Assembled Roving	R
Filament Diameter, μm	12
Linear Density, tex	2400, 4800
Size Code	512

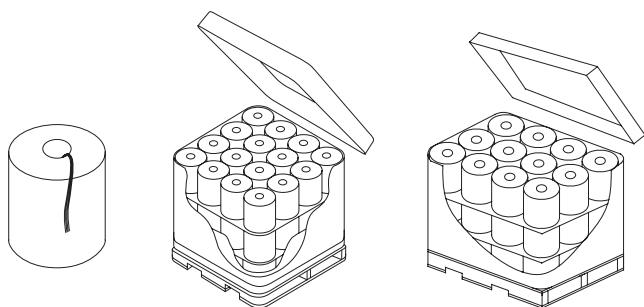


Technical Parameters

Linear Density (%)	Moisture Content (%)	Size Content (%)	Stiffness (mm)
ISO 1889	ISO 3344	ISO 1887	ISO 3375
± 6	≤ 0.15	0.50 ± 0.15	110 ± 20

Storage

Unless otherwise specified, fiberglass products should be stored in a dry, cool and rain-proof area. It is recommended that the room temperature and humidity should be always maintained at $15^{\circ}\text{C} \sim 35^{\circ}\text{C}$ and 35%~65% respectively. To ensure safety and avoid damage to the product, the pallets should not be stacked more than three layers high. When the pallets are stacked in 2 or 3 layers, care should be taken to correctly and smoothly move the top pallet.



Packaging

* The product can be packed on pallet or in small cardboard boxes.

Package height mm (in)	260 (10)	260 (10)
Package inside diameter mm (in)	100 (4)	100 (4)
Package outside diameter mm (in)	270 (10.6)	310 (12.2)
Package weight kg (lb)	17 (37.4)	23 (50.7)

Number of layers	3	4	3	4
Number of doffs per layer	16		12	
Number of doffs per pallet	48	64	36	48
Net weight per pallet kg (in)	816 (1797.3)	1088 (2396.5)	828 (1825.4)	1104 (2433.9)

Pallet length mm (in)	1120 (44)		1270 (50)	
Pallet width mm (in)	1120 (44)		960 (37.8)	
Pallet height mm (in)	940 (37)	1180 (46.5)	940 (37)	1180 (46.5)

JUSHI GROUP CO., LTD.

版权所有：© 巨石集团有限公司 © 巨石集团有限公司注册商标