

440 Assembled Roving is designed for Class A surface and structural SMC process. It is coated with a high performance compound sizing compatible with unsaturated polyester resin and vinyl ester resin.

Compared with traditional SMC roving, 440 can deliver high glass content in SMC sheets and has good wet-out and excellent surface property. It is used in automotive parts, doors, chairs, bathtubs, and water tanks and sports apparatus.

### Product Features

- ◎ Good choppability
- ◎ Excellent anti-static property
- ◎ Excellent flowability
- ◎ Excellent mechanical property
- ◎ Good wet-out

### Identification

Example	ER14-2400-440
Type of Glass	E
Assembled Roving	R
Filament Diameter, $\mu\text{m}$	14
Linear Density, tex	2400, 4392
Size Code	440



### Technical Parameters

Linear Density (%)	Moisture Content (%)	Size Content (%)	Stiffness (mm)
ISO 1889	ISO 3344	ISO 1887	ISO 3375
$\pm 5$	$\leq 0.10$	$1.25 \pm 0.15$	$160 \pm 20$

### Packaging

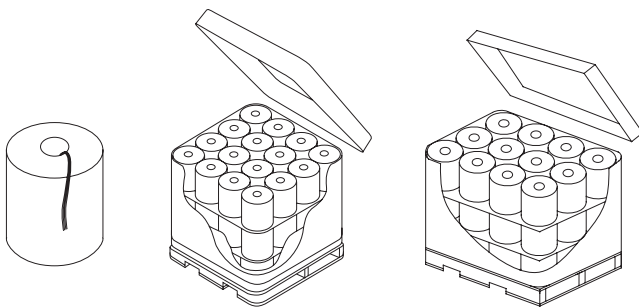
\* The product can be packed on pallet or in small cardboard boxes.

Package height mm (in)	260 (10)	260 (10)
Package inside diameter mm (in)	100 (4)	100 (4)
Package outside diameter mm (in)	270 (10.6)	310 (12.2)
Package weight kg (lb)	17 (37.4)	22 (48.5)

### Storage

Unless otherwise specified, fiberglass products should be stored in a dry, cool and rain-proof area. It is recommended that the room temperature and humidity should be always maintained at  $15^{\circ}\text{C} \sim 35^{\circ}\text{C}$  and  $35\% \sim 65\%$  respectively. To ensure safety and avoid damage to the product, the pallets should not be stacked more than three layers high. When the pallets are stacked in 2 or 3 layers, care should be taken to correctly

Number of layers	3	4	3	4
Number of doffs per layer	16		12	
Number of doffs per pallet	48	64	36	48
Net weight per pallet kg (in)	816 (1797.3)	1088 (2396.5)	792 (1746)	1056 (2328)



Pallet length mm (in)	1120 (44)		1270 (50)	
Pallet width mm (in)	1120 (44)		960 (37.8)	
Pallet height mm (in)	940 (37)	1180 (46.5)	940 (37)	1180 (46.5)

## JUSHI GROUP CO., LTD.

版权所有：© 巨石集团有限公司 ® 巨石集团有限公司注册商标